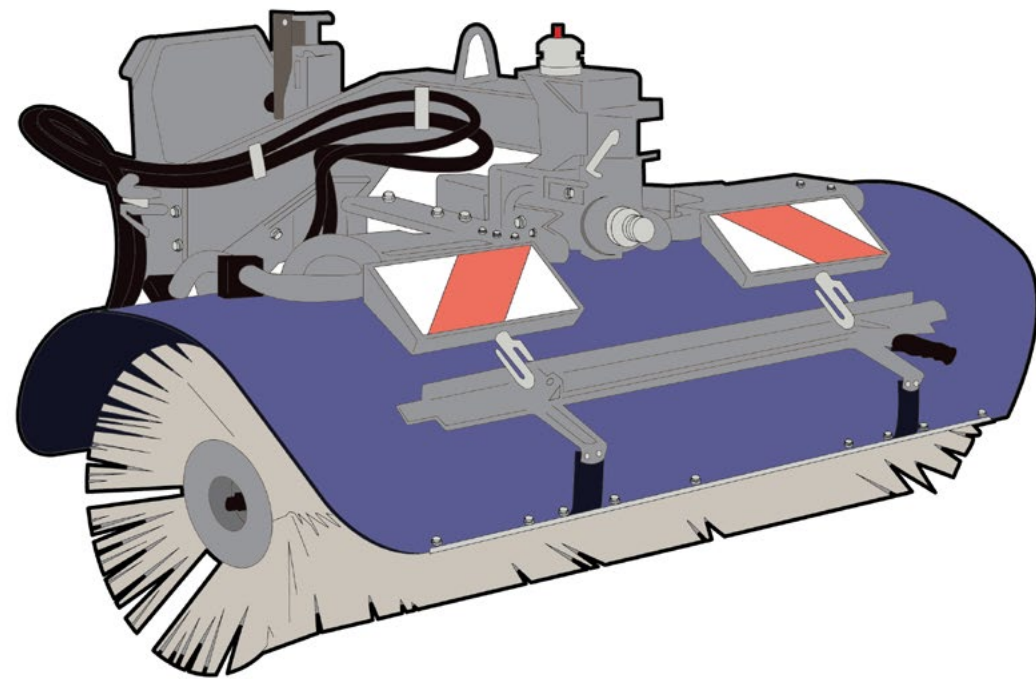


SWEEPING & CLEANING ATTACHMENTS

SWEEPERS



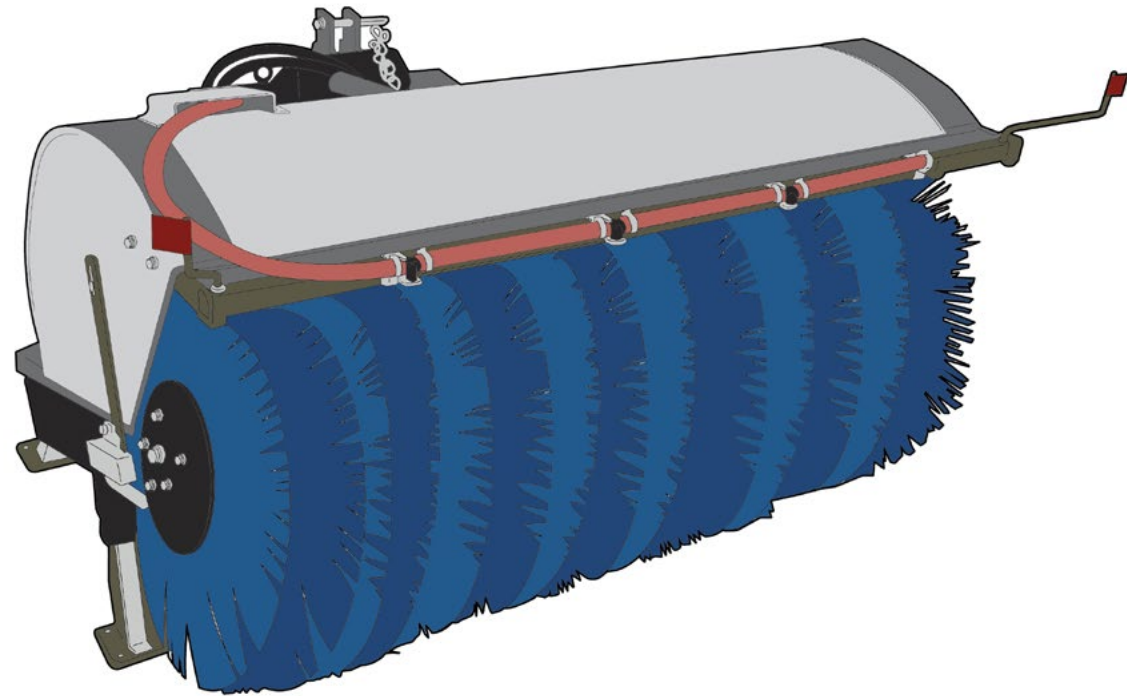
HYDRAULIC SWEEPER - CENTRE DRIVEN

MADE IN EU

STANDARD FEATURES	FLAT-FACE COUPLINGS - HOLDER C250-C270 ADAPTOR PLATE - ADJUSTABLE BROOM COVER - ONLY FOR SCD-059-01: CASTOR WHEEL
AVAILABLE OPTIONS	ONLY FOR SCD-059-01: WET-KIT (SPRAY NOZZLES - ELECTRICAL PUMP) (REGULAR WATER TANK IS REQUIRED)
TRACTOR REQUIREMENTS	CAT I (3-POINT HITCH) - 1 SET OF HYDRAULIC QUICK COUPLERS (DOUBLE ACTING) ONLY FOR SCD-059-01: CAT II (IN ADDITION)

MODEL	SCD-055-01	SCD-059-01
TOTAL WIDTH	57" (1447 mm)	61" (1550 mm)
CLEARING WIDTH STRAIGHT	55" (1400 mm)	59" (1500 mm)
CLEARING WIDTH ANGLED	59" (1500 mm) at 26°	63" (1600 mm) at 32°
TURNING ANGLE (L/R)	26°	32°
OSCILLATION	NO	18°
TRANSPORT HEIGHT	29" (735 mm)	41" (1050 mm)
BRUSH DIAMETER	21.6" (550 mm)	23.6" (600 mm)
BRUSH MATERIAL	POLYPROPYLENE	
WEIGHT	260 lb (118 kg)	529 lb (240 kg)
TORQUE TO THE SHAFT	147 lb*f (200 Nm)	479 lb*f (650 Nm)
POWER REQUIREMENTS	FLOW DIVIDER 1 OR HIGH FLOW PUMP 6.6 gpm (25 L /min)	HIGH FLOW PUMP 10 gpm (40 L /min)
TRACTOR FIT (HOLDER)	C70 - C270 - C992 - S75	C70 - C270 - C992 - S75 - S100 - S130

SWEEPERS



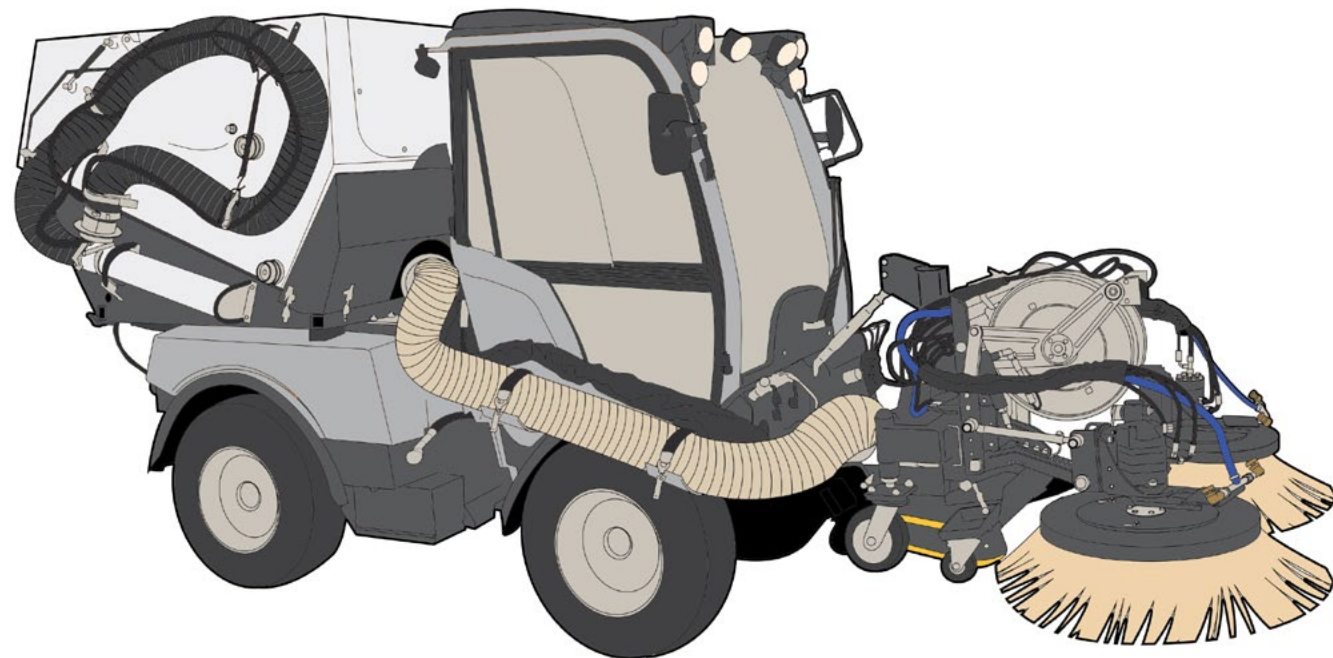
PTO DRIVEN SWEEPER WITHOUT WET KIT

MADE IN CANADA

STANDARD FEATURES	PU COWLING - PARKING LEGS - POLY STEEL COMBINATION BRUSHES - WATER SPRAY BAR - WATER PUMP - ADAPTER PLATE FOR WHEEL KIT
AVAILABLE OPTIONS	STAINLESS STEEL OR STEEL COWLING - WHEEL KIT HYDRAULIC DRIVEN MODELS AVAILABLE
TRACTOR REQUIREMENTS	CAT I CAT II (3-POINT HITCH)

MODEL	SPT-048-02	SPT-060-02	SPT-072-02
TOTAL WIDTH	53" (1346 mm)	65" (1651 mm)	77" (1955 mm)
CLEARING WIDTH STRAIGHT	48" (1219 mm)	60" (1524 mm)	72" (1828 mm)
CLEARING WIDTH ANGLED 30°	42" (1066 mm)	52" (1320 mm)	62" (1574 mm)
HEIGHT	38" (965 mm)		
BRUSH DIAMETER	32" (812 mm)		
SWING ANGLE	30°		
DRIVE ASSEMBLY	SIDE DRIVE VIA GEARBOX & CHAIN		
TYPE	MECHANICAL		
WEIGHT	685 lb (310 kg)	780 lb (353 kg)	860 lb (390 kg)
POWER REQUIREMENTS	40 HP (30 kW)		
TRACTOR FIT (HOLDER)	C70 - C270	C70 - C270 - C992 - S75 - S100 - S130	C992 - S75 - S100 - S130

SWEEPERS



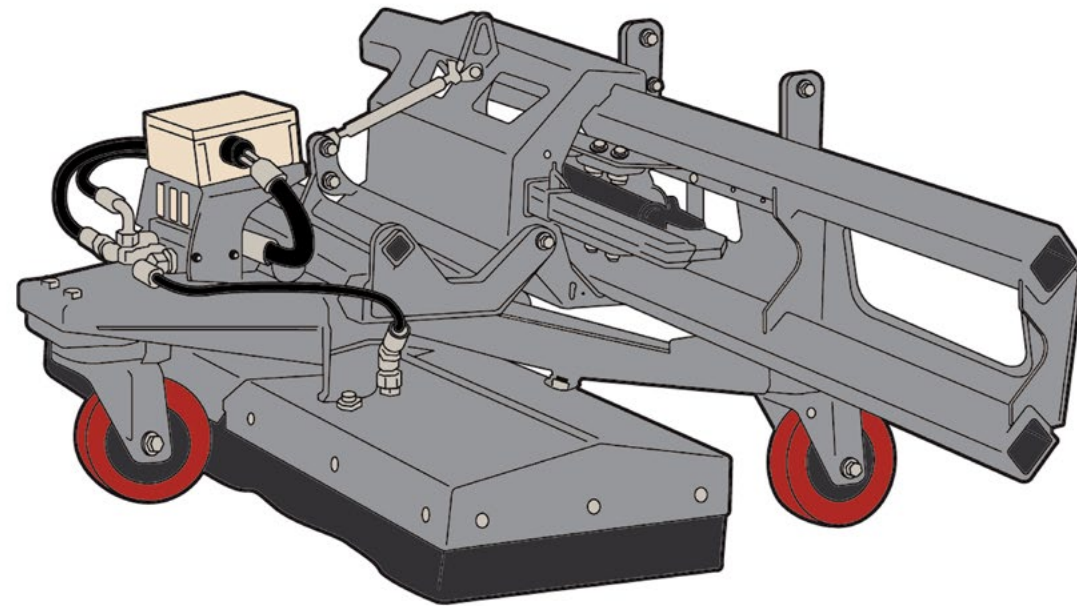
VACUUM SWEEPER

MADE IN EU

STANDARD FEATURES	ROBUST ALUMINUM CONTAINER - REDUCED NOISE OUTPUT - REDUCED FUEL CONSUMPTION - REAR VIEW CAMERA - HAND-HELD SUCTION HOSE
AVAILABLE OPTIONS	RIGHT OR LEFT HAND BRUSH OPTIONS ARE AVAILABLE AS A WEED BRUSH w/ HYDRAULIC INCLINATION ADJUSTMENT

MODEL	SVC-072-02	SVC-200-01
HOPPER (GROSS)	1.57 cu yard (1.2 m ³)	2.1 cu yard (1.6 m ³)
HOPPER (NET)	1.05 cu yard (0.8 m ³)	1.56 cu yard (1.19 m ³)
FRESH WATER TANK	58 gal (219 L)	74 gal (280 L)
RECYCLED WATER	approx. 40 gal (151 L)	up to 137 gal (518 L)
TOTAL HEIGHT	from 84" (2133 mm)	approx. 90" (2286 mm)
TOTAL OUTER WIDTH	from 44" (1117 mm)	approx. 63" (1600 mm)
PLATE BRUSH DIAMETER	33" (838 mm)	
SWEEPING WIDTH SUCTION MOUTH	78" (1981 mm)	
POWER REQUIREMENTS	45 HP - 74 HP (33 kW - 55 kW)	70 HP - 130 HP (52 kW - 97 kW)
TRACTOR FIT (HOLDER)	C70 - C270	S75 - S100 - S130

STEAM CLEANER



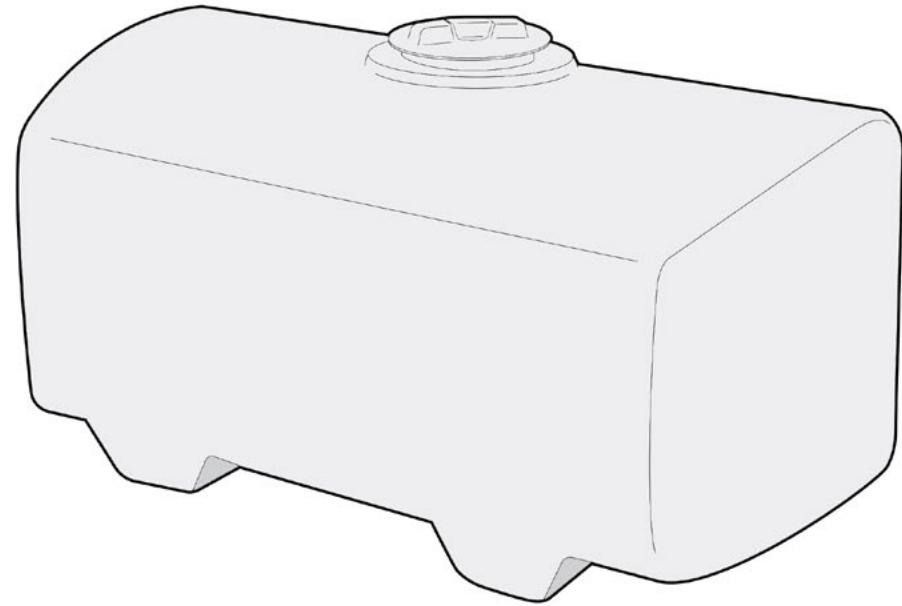
HOT WATER WEED KILLER

MADE IN EU

STANDARD FEATURES	SPECIAL HOT WATER NOZZLES FOR HOMOGENEOUS APPLICATION - STORAGE VIA A MAINTENANCE-FREE SPRING ELEMENT - AN IMPELLER FOR OPTIMAL GROUND-SURFACE ADAPTATION - TILT ADJUSTMENT - STORAGE CART w/ WHEELS FOR EASY MOUNTING
AVAILABLE OPTIONS	LATERAL NOZZLES (MOUNTING ON BOTH SIDES POSSIBLE)
TRACTOR REQUIREMENTS	OIL DEMAND 1.3 gpm (5 L /min)

MODEL	HWK-317-01
LENGTH	30" (770 mm)
TOTAL WIDTH	47" (1200 mm)
WORKING WIDTH	39" (1000 mm)
HEIGHT	23" (540 mm)
WEIGHT	132 lb (60 kg)
UNIT MATERIAL	STAINLESS STEEL V2A
POWER REQUIREMENTS	45 HP - 130 HP (33 kW - 97 kW)
TRACTOR FIT (HOLDER)	C70 - C270 - C992 - S75 - S100 - S130

WATER TANKS



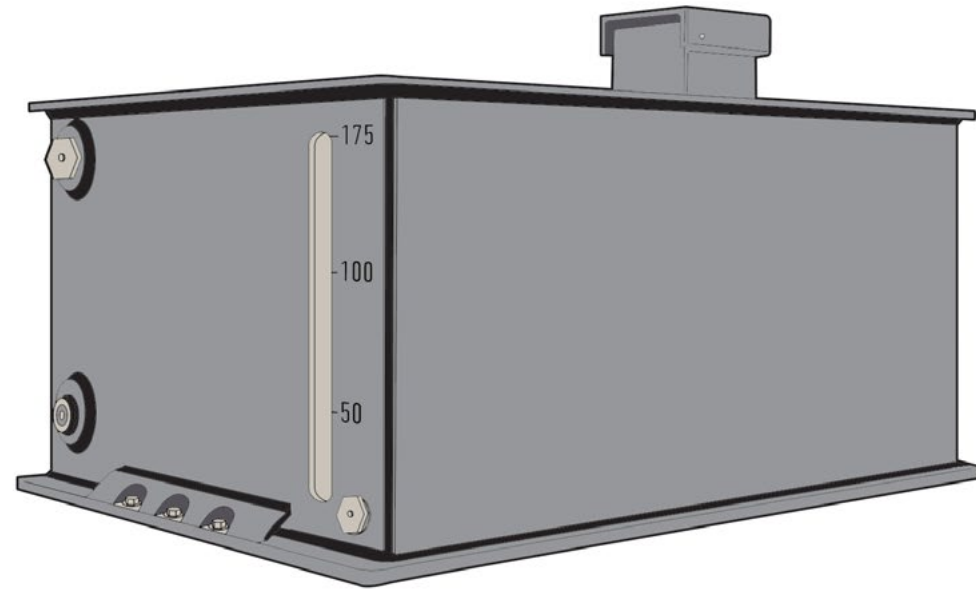
MADE IN CANADA

WATER TANK (WITHOUT BAFFLES)

STANDARD FEATURES	HOSE CONNECTIONS
MOUNTING OPTIONS	IN THE DUMP BODY (FRAME REQUIRED) ON THE PLATFORM (FRAME REQUIRED)
FRAME OPTIONS	WTF-100-01 (DUMP BODY MOUNT) WTF-100-02 (PLATFORM MOUNT)
TRACTOR REQUIREMENTS	OVER-ENGINE PLATFORM OR IN THE DUMP BODY

MODEL	WTA-100-01	WTA-150-01
TOTAL VOLUME	100 gal (440 L)	150 gal (568 L)
LENGTH	38" (965 mm)	48" (1219 mm)
WIDTH	30" (762 mm)	36" (914 mm)
HEIGHT	28" (711 mm)	
MATERIAL	POLYETHYLENE	
TRACTOR FIT (HOLDER)	C70 - C270	C992 - S75 - S100 - S130

WATER TANKS



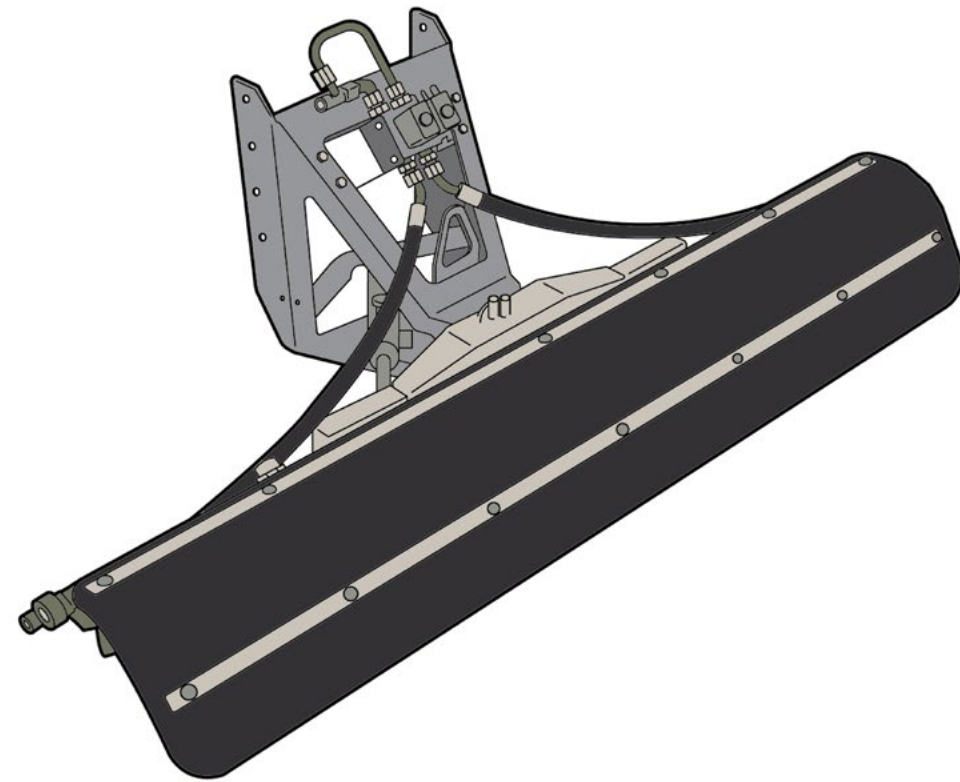
WATER TANK (WITH BAFFLES)

MADE IN CANADA

STANDARD FEATURES	HOSE CONNECTIONS - PLATFORM MOUNT
MOUNTING OPTIONS	ON THE PLATFORM ONLY
TRACTOR REQUIREMENTS	OVER-ENGINE PLATFORM

MODEL	WTA-175-01	WTA-250-01
TOTAL VOLUME	175 gal (771 L)	250 gal (946 L)
LENGTH	52" (1321 mm)	64" (1626 mm)
WIDTH	40" (1016 mm)	46" (1168 mm)
HEIGHT	25" (635 mm)	32.5" (825 mm)
MATERIAL	POLYETHYLENE	
TRACTOR FIT (HOLDER)	C70 - C270	C992 - S75 - S100 - S130

SPRAY BARS



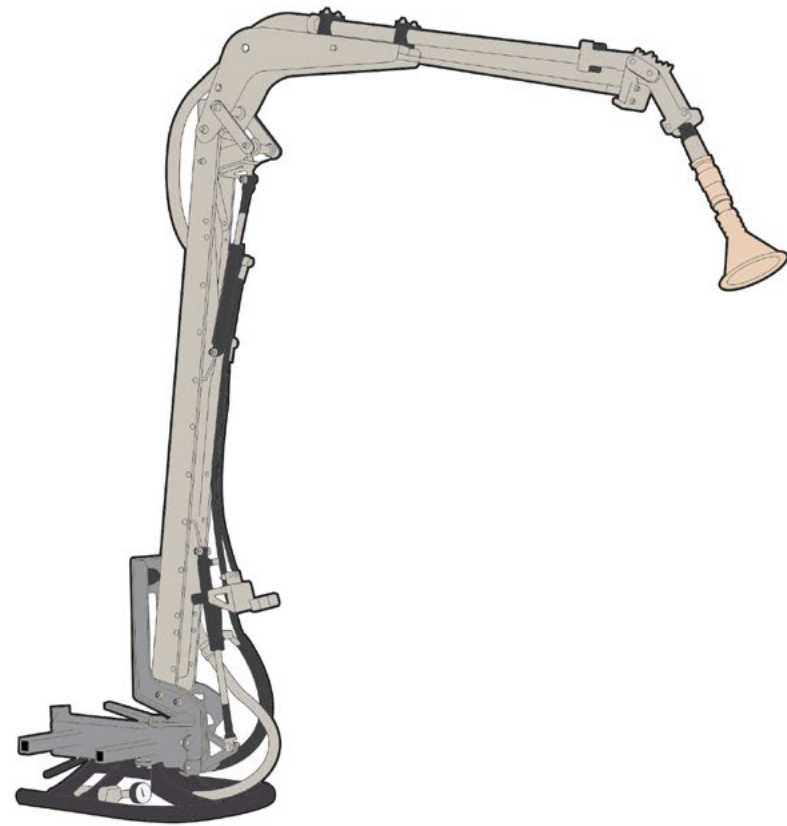
HYDRAULIC SWIVELING FRONT SPRAY BAR

MADE IN EU

STANDARD FEATURES	HYDRAULIC ANGLING (L/R) - MANUAL HEIGHT ADJUSTMENT - FRONT ADAPTER PLATE HOLDER C250-C270-C480-C992 - FLAT-FACE COUPLINGS - SUPPORT LEG
AVAILABLE OPTIONS	SPRAY GUARD - SIDE NOZZLES - 20" (500 mm) L/R TELESCOPIC EXTENSION
TRACTOR REQUIREMENTS	CAT I (3 POINT HITCH) - 1 SET OF HYDRAULIC QUICK COUPLINGS (DOUBLE ACTING)
OTHER REQUIREMENTS	WATER TANK SYSTEM WTS-171-02 OR WTS-171-03

MODEL	SPB-059-01	SPB-070-01
TOTAL WIDTH	59" (1500 mm)	70" (1778 mm)
WORKING WIDTH 30°	51" (1300 mm)	62" (1574 mm)
LENGTH	(19.6") 550 mm	
HEIGHT	(15.7") 400 mm	
WEIGHT	154 lb (70 kg)	165 lb (75 kg)
BAR MATERIAL	STAINLESS STEEL	
POWER REQUIREMENTS	3.9 gpm (15 L /min)	
WATER PRESSURE	725 psi @ 21 gal (50 bar @ 80 L) (w/ MEDIUM PRESSURE PUMP)	1883 psi @ 21 gal (130 bar @ 80 L) (w/ HIGH PRESSURE PUMP)
TRACTOR FIT (HOLDER)	C70 - C270	C70 - C270 - C992 - S75 - S100 - S130

WATERING ARM



HYDRAULIC WATERING ARM

MADE IN EU

STANDARD FEATURES	ADAPTER PLATE HOLDER C250-C270-C480-C992 - FLAT SEALING COUPLINGS - ELECTRICAL ANGLING OF THE SPRAYING HEAD - STANDARD HOLDER JOYSTICK CONTROLS
AVAILABLE OPTIONS	FMC MULTIMATIC CONTROL BOX W/ JOYSTICK (WAR-161-02)
TRACTOR REQUIREMENTS	CAT I CAT II (3-POINT HITCH) - 2 SETS OF HYDRAULIC QUICK COUPLERS (DOUBLE ACTING)
OTHER REQUIREMENTS	WATER TANK SYSTEM WTS-171-01 OR WTS-171-02

MODEL	WAR-161-01
WORKING HEIGHT	161" (4100 mm)
SWIVEL RANGE (L/R)	250° (125° L/R) MAIN ARM: 55° TILT - SECONDARY ARM: 150° SWIVEL
SPRAYING HEAD ANGLING	170° ELECTRICALLY ADJUSTABLE
MATERIAL (BOTH ARMS)	STAINLESS STEEL
POWER REQUIREMENTS	13 gpm (51 L /min)
TRACTOR FIT (HOLDER)	C270 - C70 - C992 - S75 - S100 - S130