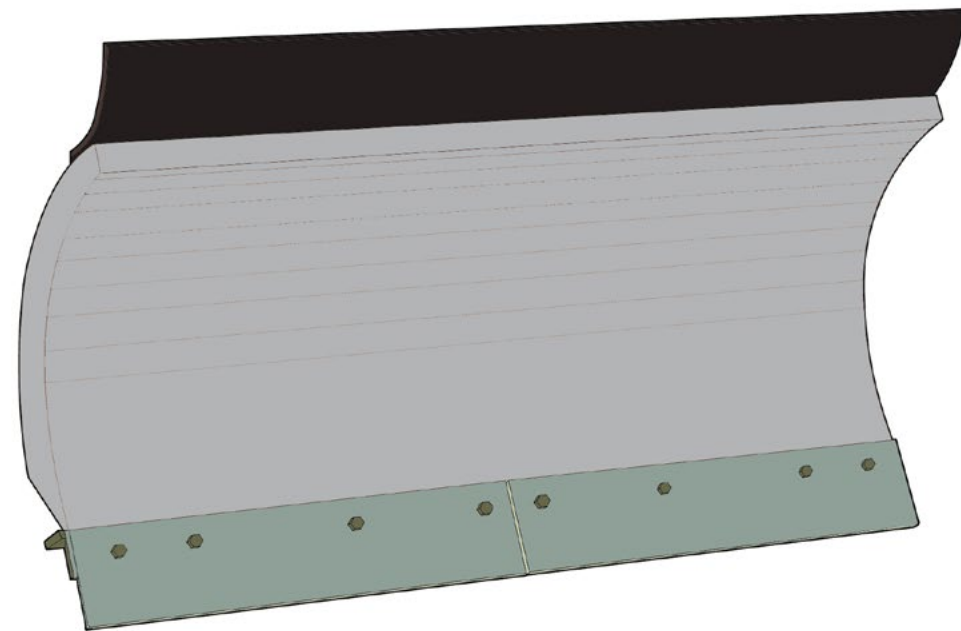


WINTER MAINTENANCE ATTACHMENTS

SNOW PLOWS



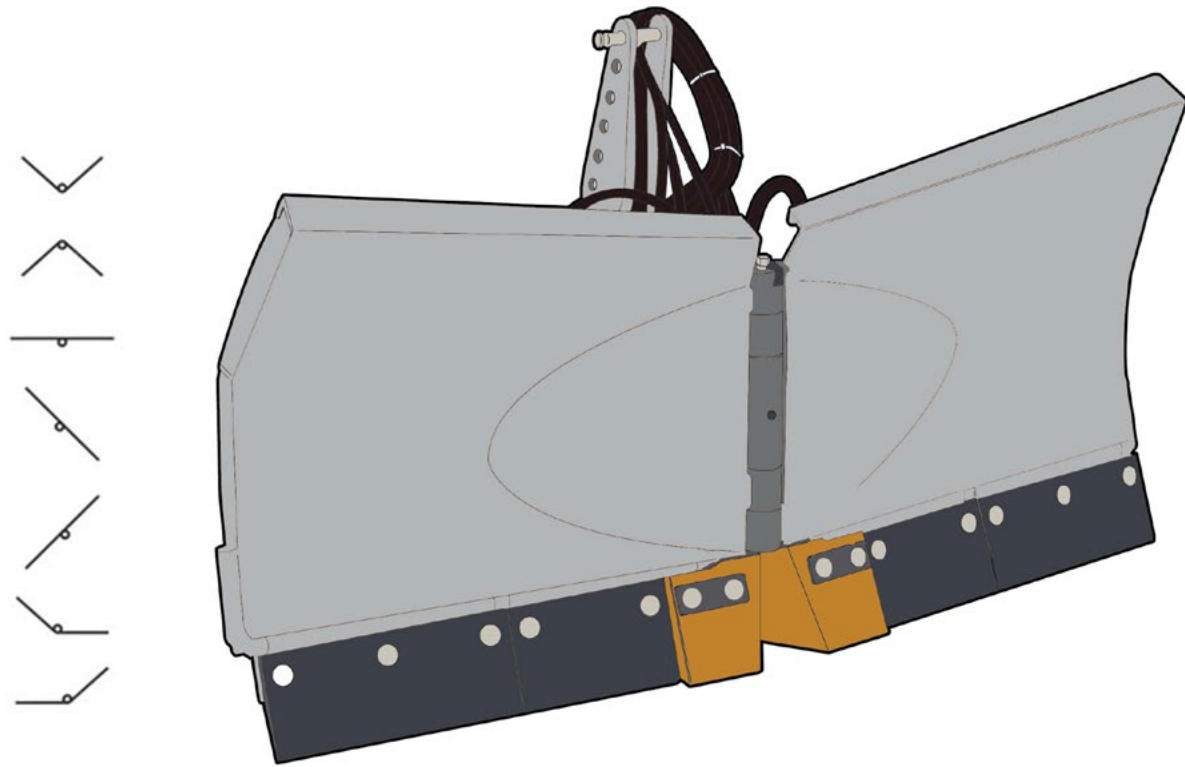
TRIP EDGE ANGLING SNOW PLOW

MADE IN CANADA

STANDARD FEATURES	AR 400 STEEL CUTTING EDGE - FLAT FACE COUPLINGS - RUBBER DEFLECTOR - HYDRAULIC ANGLING
AVAILABLE OPTIONS	EXTRA LIGHTS - WARNING FLAGS - CASTOR WHEELS - CURB WEAR BLOCK - <i>ADDITIONAL SIZES AVAILABLE</i>
AVAILABLE CUTTING EDGE OPTIONS	HARDOX - RUBBER - VULKOLLAN - CARBIDE - PU - CORRUNDUM - STAINLESS STEEL
TRACTOR REQUIREMENTS	CAT I CAT II (3-POINT HITCH) - 1 SET OF HYDRAULIC QUICK COUPLERS (DOUBLE ACTING)

MODEL	PAN-050-10	PAN-055-10	PAN-058-10	PAN-060-10
TOTAL WIDTH	50" (1270 mm)	55" (1397 mm)	58" (1473 mm)	60" (1524 mm)
STRAIGHT CLEARING WIDTH	50" (1270 mm)	55" (1397 mm)	58" (1473 mm)	60" (1524 mm)
ANGLED 30°	43" (1092 mm)	47" (1193 mm)	50" (1270 mm)	52" (1320 mm)
HEIGHT	36" (920 mm)			
MOULDBOARD HEIGHT	27" (680 mm)			
MOULDBOARD THICKNESS	11 GAUGE			
WEIGHT	525 lb (240 kg)	550 lb (250 kg)	564 lb (256 kg)	575 lb (261 kg)
NUMBER OF TRIP SECTIONS	2 x 30" (762 mm)			
POWER REQUIREMENTS	40 HP - 93 HP (30 kW - 70 kW)			
TRACTOR FIT (HOLDER)	C70 - C270	C70 - C270 - C992 - S75 - S100 - S130		

SNOW PLOWS



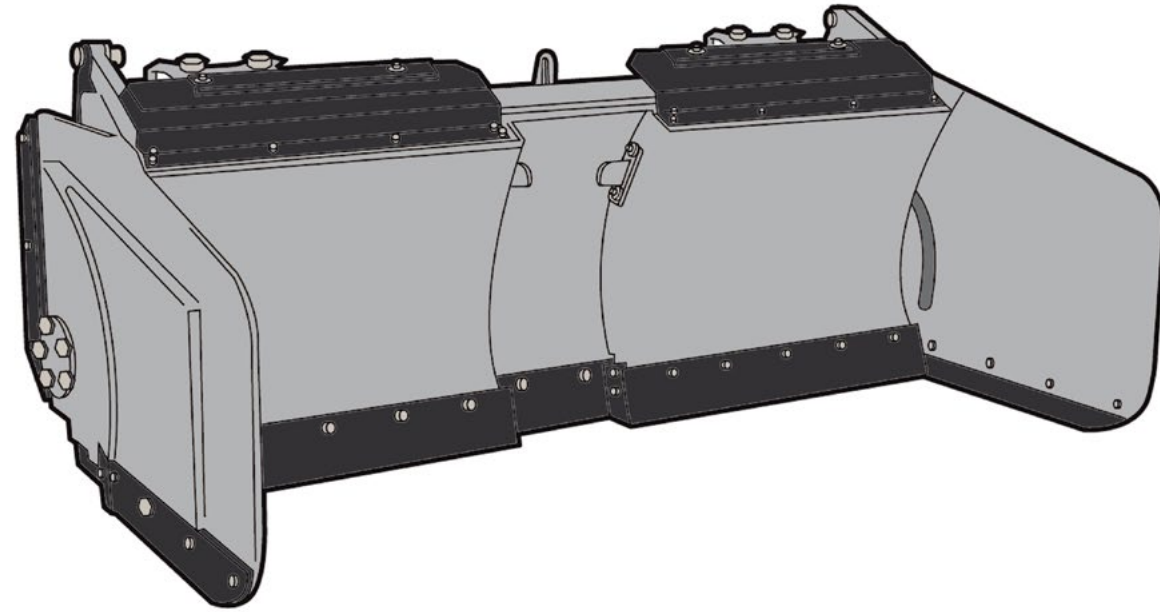
HYDRAULIC 5-WAY SNOW PLOW (FOLDING V-PLOW)

MADE IN CANADA

STANDARD FEATURES	HARDOX CUTTING EDGE - FLAT FACE HYDRAULIC COUPLINGS - POWDER COAT - HYDRAULIC ANGLING - SKID SHOE - 5 POSITIONS
AVAILABLE OPTIONS	EXTRA LIGHTS - WARNING FLAGS - CASTOR WHEELS - CURB WEAR BLOCK - <i>ADDITIONAL SIZES AVAILABLE</i>
AVAILABLE CUTTING EDGE OPTIONS	STAINLESS STEEL - RUBBER - VULKOLLAN - CARBIDE - PU - CORUNDUM - UHMW - MILD STEEL
TRACTOR REQUIREMENTS	CAT I CAT II (3-POINT HITCH) - 1 SET OF HYDRAULIC QUICK COUPLERS (DOUBLE ACTING)

MODEL	PFO-055-01	PFO-061-01	PFO-066-01	PFO-071-01
TOTAL WIDTH	55" (1400 mm)	61" (1520 mm)	66" (1680 mm)	70" (1780 mm)
STRAIGHT CLEARING WIDTH	55" (1400 mm)	61" (1520 mm)	66" (1680 mm)	70" (1780 mm)
ANGLED 30° ^ v	48" (1220 mm)	52" (1320 mm)	58" (1470 mm)	61" (1550 mm)
HEIGHT	33.5" (851 mm)			
MOULDBOARD HEIGHT	30" (762 mm)			
MOULDBOARD THICKNESS	11 GAUGE			
WEIGHT	519 lb (235 kg)	546 lb (248 kg)	573 lb (260 kg)	605 lb (275 kg)
POWER REQUIREMENTS	35 HP (26 kW)	40 HP (30 kW)		60 HP (45 kW)
TRACTOR FIT (HOLDER)	C70 - C270	C70 - C270 - C992 - S75 - S100 - S130		C992 - S75 - S100 - S130

SNOW PLOWS



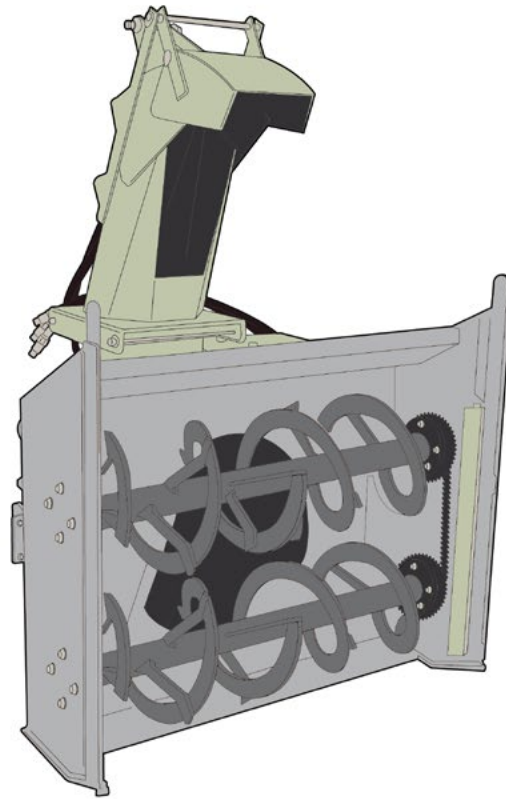
HYDRAULIC ANGLE PLOW (HYDRAULIC SNOW WINGS)

MADE IN CANADA

STANDARD FEATURES	CHT 400 STEEL STRUCTURE - TRIP MECHANISM - SLIDE ON TEFLON PLATE - 30° REVERSE CAPACITY
AVAILABLE OPTIONS	SOLENOID 12 VOLTS
TRACTOR REQUIREMENTS	WINTER TIRES - COUNTERWEIGHT

MODEL	WAP-610-10
CLEARING WIDTH CLOSED	65.5" (1663 mm)
CLEARING WIDTH OPEN	120.5" (3060 mm)
HEIGHT	28" (711 mm)
H.D. SNOW GATES	25" (635 mm)
WEIGHT	1405 lb (637 kg)
POWER REQUIREMENTS	70 HP (52 kW)
TRACTOR FIT (HOLDER)	C992 - S75 - S100 - S130

SNOW BLOWERS



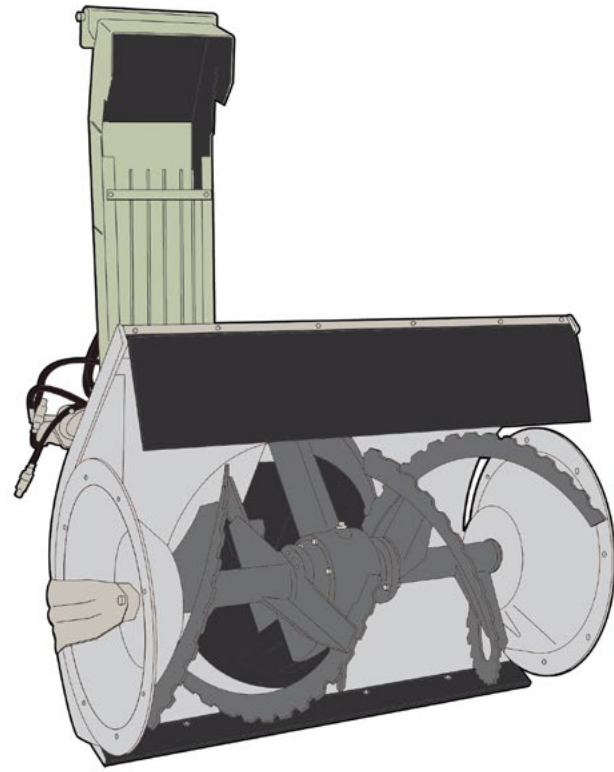
PTO DRIVEN BOX SNOW BLOWER - DUAL AUGER TYPE

MADE IN CANADA

STANDARD FEATURES	HQWRS CUTTING EDGES & SKID SHOES - ICE BREAKER AUGER TIPS - FLAT FACE COUPLINGS
AVAILABLE OPTIONS	60" (1524 mm) TRUCK LOADING CHUTE EXTENSION FOR ALL BBX SNOWBLOWERS (BCE-061-01) - <i>ADDITIONAL SIZES AVAILABLE</i>
TRACTOR REQUIREMENTS	CAT I CAT II (3-POINT HITCH) - 2 SETS OF HYDRAULIC QUICK COUPLERS (DOUBLE ACTING) - 1 3/8" - 6 SPLINE PTO SHAFT 540 RPM - COUNTERWEIGHT

MODEL	BBX-044-01	BBX-050-01	BBX-060-01
TOTAL WIDTH	44" (1120 mm)	50" (1270 mm)	60" (1524 mm)
CLEARING WIDTH	44" (1120 mm)	50" (1270 mm)	60" (1524 mm)
TOTAL HEIGHT	76" (1930 mm)		
HOUSING HEIGHT	39" (990 mm)		
WEIGHT	760 lb (344 kg)	880 lb (399 kg)	1095 lb (496 kg)
CHUTE	HYDRAULIC w/ HYDRAULIC FLAP		
CHUTE ROTATION	270°		
DRIVE ASSEMBLY	SIDE DRIVE VIA GEARBOX & CHAIN GEARBOX: 540 RPM & 1000 RPM		
OVERLOAD PROTECTION	SHEAR PINS		
CUTTING AUGER DIAMETER	15" (381 mm)		
IMPELLER DIAMETER	24" x 8" (609 mm x 203 mm)		
NUMBER OF BLADES	3 (OPTIONAL 5)		
POWER REQUIREMENTS	40 HP (30 kW)		
TRACTOR FIT (HOLDER)	C70 - C270	C70 - C270 - C992 - S75 - S100 - S130	

SNOW BLOWERS



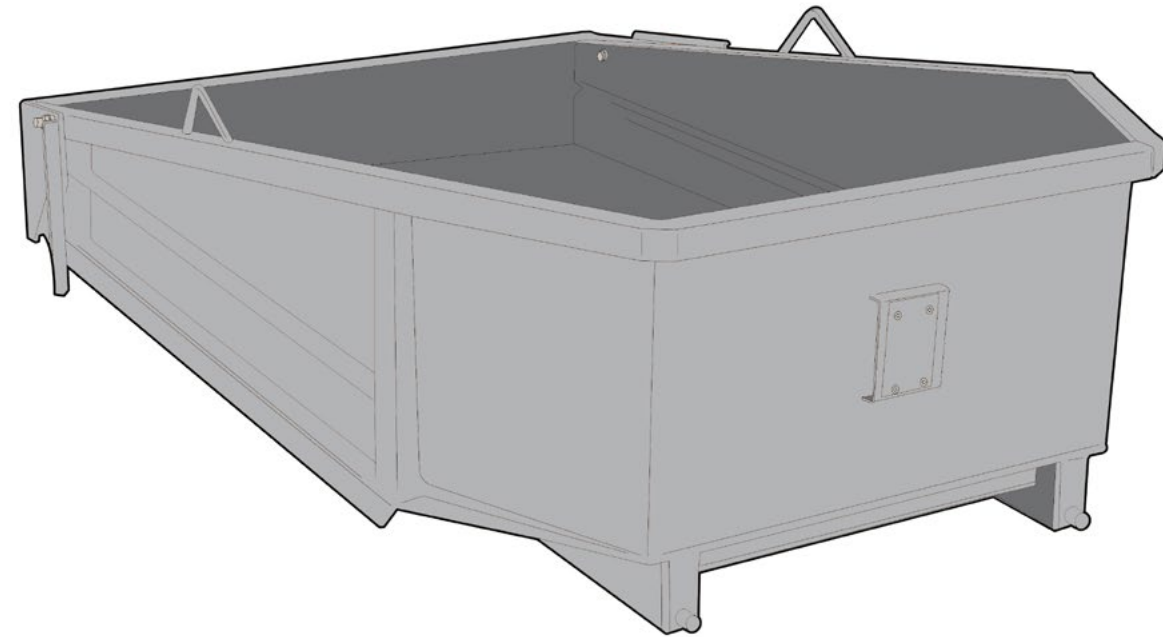
PTO DRIVEN RIBBON STYLE SNOW BLOWER

MADE IN EU

STANDARD FEATURES	HQWRS CUTTING EDGES & SKID SHOES - WEAR RESISTANT EXCHANGEABLE PLATE INSERT IN THE IMPELLER HOUSING - FLAT FACE COUPLINGS
AVAILABLE OPTIONS	HYDRAULIC TOP LINK - 39" (1000 mm) CHUTE EXTENSION (BCE-039-01) - TRUCK LOADING CHUTE w/ DOUBLE FLAP (TLC-039-01) - <i>ADDITIONAL SIZES AVAILABLE</i>
TRACTOR REQUIREMENTS	CAT I CAT II (3-POINT HITCH) - 2 SETS OF HYDRAULIC QUICK COUPLERS (DOUBLE ACTING) - 1 3/8" - 6 SPLINE PTO SHAFT 540 RPM - COUNTERWEIGHT

MODEL	BCD-051-03	BCD-059-02
TOTAL WIDTH	51" (1300 mm)	59" (1500 mm)
CLEARING WIDTH	51" (1300 mm)	59" (1500 mm)
TOTAL HEIGHT	82.6" (2100 mm)	
HOUSING HEIGHT	35.4" (900 mm)	
WEIGHT	992 lb (450 kg)	1091 lb (495 kg)
CHUTE	HYDRAULIC w/ 2 HYDRAULIC FLAPS	
CHUTE ROTATION	210°	
DRIVE ASSEMBLY	DIRECT DRIVE VIA GEAR BOX	
OVERLOAD PROTECTION	A CAM-TYPE CUT-OUT CLUTCH BETWEEN AXLE GEAR & BLOWER WHEEL PTO SHEAR PIN	
AUGER DIAMETER	25.6" (650 mm)	29.5" (750 mm)
IMPELLER DIAMETER	23.6" (600 mm)	
NUMBER OF BLADES	5	
POWER REQUIREMENTS	45 HP - 130 HP (33 kW - 95 kW)	
TRACTOR FIT (HOLDER)	C70 - C270	C992 - S75 - S100 - S130

DUMP BODIES



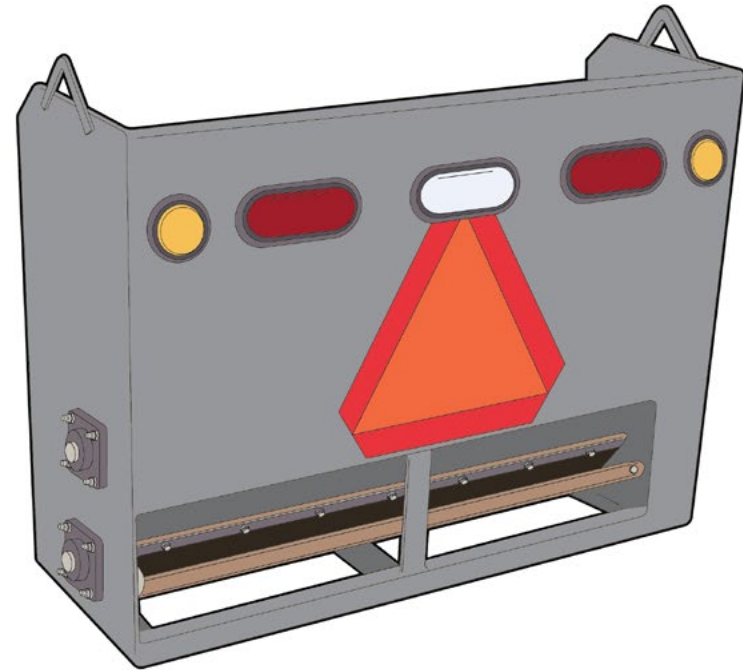
OVER ENGINE DUMP BODY

MADE IN CANADA

STANDARD FEATURES	11 GAUGE STEEL - TAPERED SIDE WALLS - REMOVABLE TAILGATE - POWDER COAT - HQWRS HOUSING MATERIAL
AVAILABLE OPTIONS	STAINLESS STEEL
TRACTOR REQUIREMENTS	OVER-ENGINE PLATFORM

MODEL	DBO-033-01	DBO-100-02	DBO-100-100	DBO-100-75
WIDTH	38" (965 mm)	42" (1066 mm)	50" (1270 mm)	45" (1143 mm)
LENGTH	46.5" (1181 mm)	63" (1600 mm)	68" (1727 mm)	68" (1727 mm)
HEIGHT TAPERED FRONT - REAR	22.5" (571 mm)	20" (508 mm)	22" (558 mm)	23" (584 mm)
WEIGHT	230 lb (104 kg)	295 lb (133 kg)	315 lb (143 kg)	305 lb (138 kg)
CAPACITY	0.33 cu yard (252 L)	1 cu yard (765 L)	1.1 cu yard (841 L)	1 cu yard (765 L)
TRACTOR FIT (HOLDER)	C70 - C270	C992	S100 - S130	S75

DROP SPREADERS



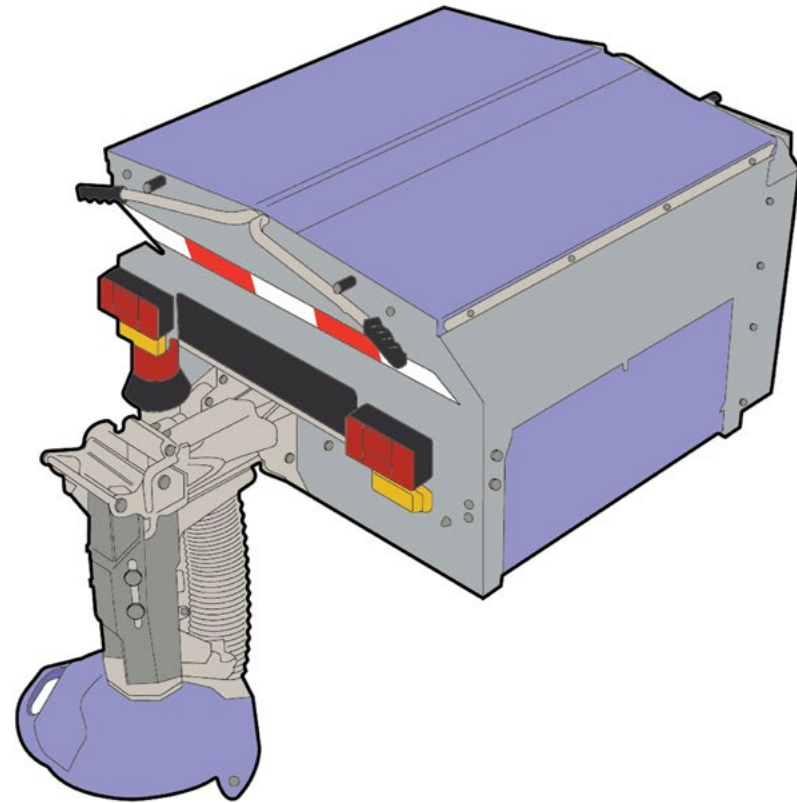
REAR MOUNT DROP SPREADER - HYDRAULICALLY DRIVEN

MADE IN CANADA

STANDARD FEATURES	FLAT FACE COUPLINGS - HQWRS HOUSING MATERIAL - STAINLESS STEEL CAMS ON THE ROLL SHAFT - LED: BRAKE LIGHTS, REVERSE LIGHTS & SIGNAL LIGHTS - ADJUSTABLE MATERIAL FLOW RATE
AVAILABLE OPTIONS	STAINLESS STEEL - SPILL PROTECTOR/ENHANCER - TARP/COVER - SUPPORT STAND (SET OF 3) DSS-000-01
TRACTOR REQUIREMENTS	REAR BUMPER - FLOW DIVIDER 1

MODEL	SAD-033-01	SAD-050-01	SAD-062-01	SAD-050-75
CAPACITY	0.33 cu yard (255 L)	0.5 cu yard (382 L)	0.62 cu yard (478 L)	0.33 cu yard (255 L)
WIDTH	40" (1016 mm)	44" (1117 mm)	52" (1320 mm)	44" (1117 mm)
LENGTH	15" (381 mm)			
HEIGHT	30.5" (774 mm)	36" (914 mm)		37" (939 mm)
WEIGHT	350 lb (159 kg)	430 lb (195 kg)	485 lb (220 kg)	380 lb (172 kg)
DEPTH	16" (406 mm)	22" (558 mm)		16" (406 mm)
SPREADING WIDTH	36" (914 mm)	40" (1016 mm)	48" (1219 mm)	40" (1016 mm)
MATERIAL TYPE	SALT - SAND - MIX			
POWER REQUIREMENTS	40 HP (30 kW)			
TRACTOR FIT (HOLDER)	C70 - C270	C992	S100 - S130	S75

BROADCAST SPREADER



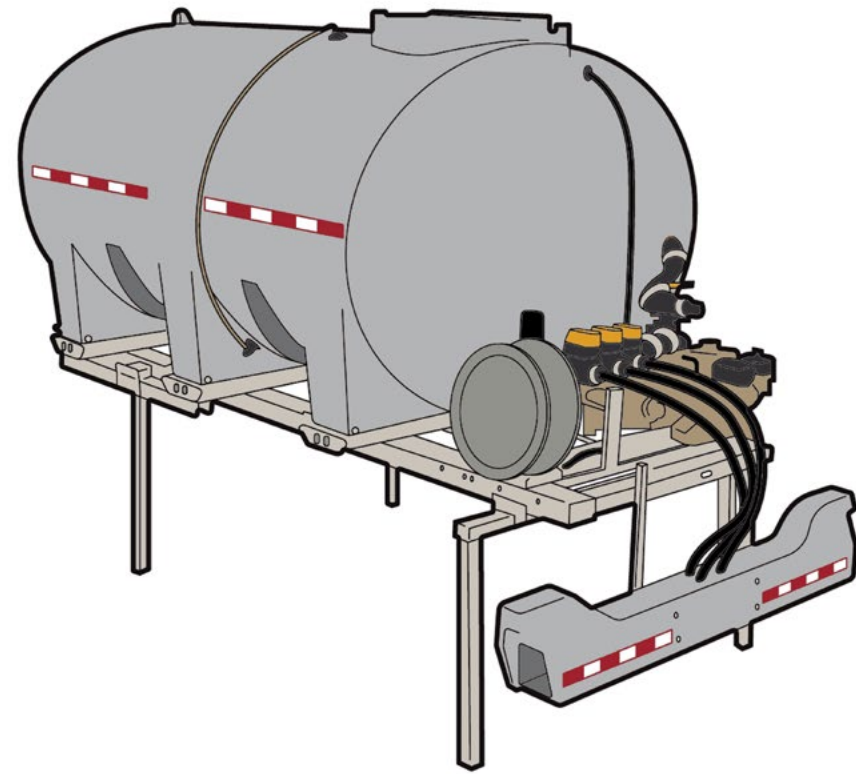
OVER ENGINE BROADCAST SPREADER - HYDRAULICALLY DRIVEN

MADE IN EU

STANDARD FEATURES	DRY SPREADING SYSTEM - FLAT-FACE COUPLINGS - WORK LIGHT - SUB-FRAME FOR HOLDER C250-C270 - STAINLESS STEEL SPINNER DISC & AGITATOR - MESH SCREEN - FOLDABLE TARPAULIN COVER - REAR SPLASH GUARD - SUPPORT LEGS w/ CASTOR WHEELS
AVAILABLE OPTIONS	PRE-WET MODULE - ADDITIONAL BEACON LIGHT - REAR CAMERA
MULTIMATIC DIGITAL CONTROL BOX	DOSAGE - SPRAYING WIDTH - HOURS COUNTER - DAILY LOGS - MATERIAL & DISTANCE COUNTER - SERVICE FUNCTIONS
TRACTOR REQUIREMENTS	OVER-ENGINE PLATFORM - HIGH-FLOW PUMP (MINIMUM 13 gpm (50 L /min) IS REQUIRED)

MODEL	SAB-085-01
HOPPER VOLUME	0.85 cu yard (0.65 m ³)
DELIVERY METHOD	AUGER w/ AGITATOR
SPREADING METHOD	ADJUSTABLE SPINNER DISC
SPREADING WIDTH	3' - 19' (1 m - 8 m)
SPREADING DOSAGE	5-250 g / m ² w/ 5g / m ² step
SPINNER DISC	STAINLESS STEEL ø 25" (647 mm)
MOUNTED HEIGHT	+/- 76" (1930 mm) (DEPENDING ON TIRES)
WEIGHT (EMPTY)	992 lb (450 kg)
MATERIAL TYPE	SALT - SAND - GRIT
POWER REQUIREMENTS	45 HP - 74 HP (33 kW - 55 kW)
TRACTOR FIT (HOLDER)	C70 - C270

BRINE SPRAYER



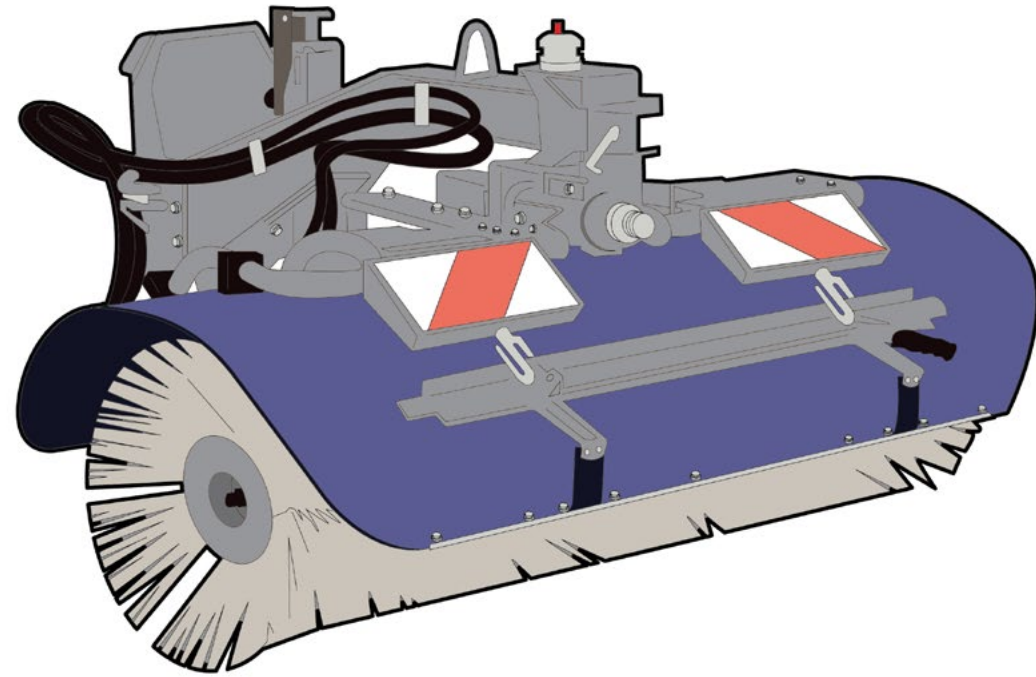
MADE IN CANADA

BRINE SPRAYER

STANDARD FEATURES	DOUBLE SPRAY BAR SYSTEM - BAFFLE BALL SURGE CONTROL - FAST FILL SYSTEM - TRI-ZONE SPRAY SELECTION - AUTO DRAIN SUMP BASE - BUILT-IN FORK SLOTS - RUST ARMOUR STAINLESS FRAME
AVAILABLE OPTIONS	STORAGE STANDS - LIGHTS - SECURING BAR - PUMP OPTIONS: HIGH FLOW 12-VOLT, GAS or HYDRAULIC
TRACTOR REQUIREMENTS	OVER-ENGINE PLATFORM

MODEL	BSP-250-75
TOTAL VOLUME	250 gal (946 L)
LENGTH	81" (2057 mm)
WIDTH	48" (1219 mm)
HEIGHT	39" (991 mm)
WEIGHT (EMPTY)	475 lb (215 kg)
FRAME TYPE	STAINLESS STEEL
HOSE LENGTH	100' (30 m)
MOUNTING	4 TIE-DOWN SLOTS
TANK TYPE	SINGLE-PIECE ROTO MOLD HDPE
SPRAY GUN TYPE	ADJUSTABLE JET/FAN
POWER REQUIREMENTS	70 HP - 130 HP (52 kW - 97 kW)
TRACTOR FIT (HOLDER)	S75 - S100 - S130

SWEEPERS



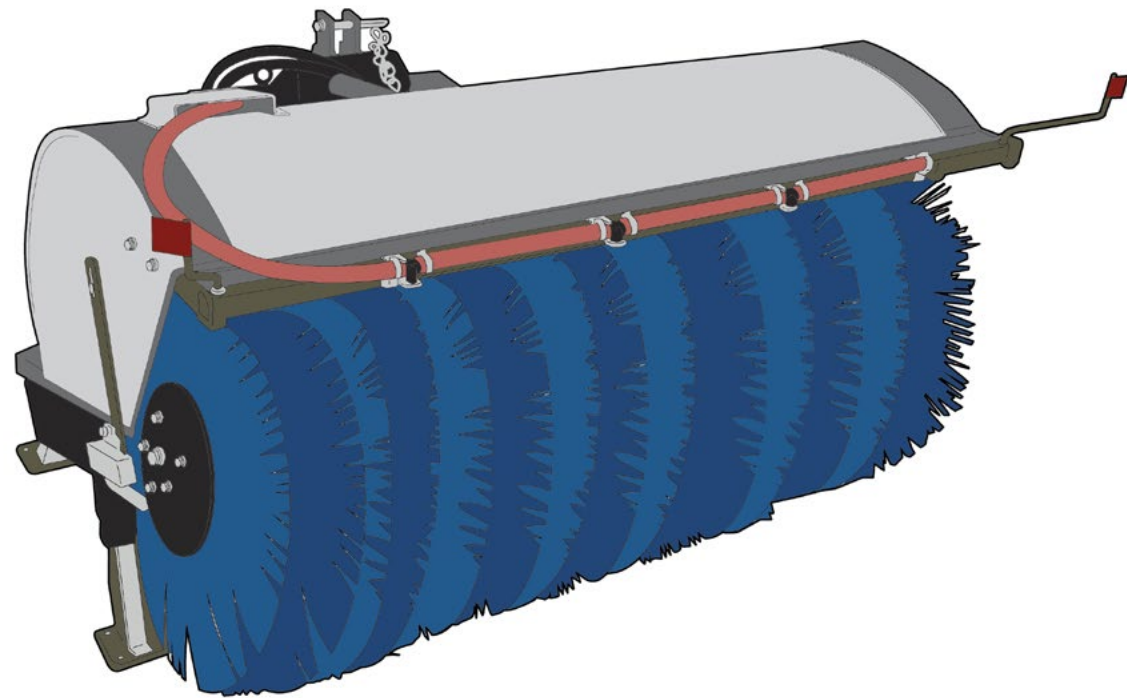
HYDRAULIC SWEEPER - CENTRE DRIVEN

MADE IN EU

STANDARD FEATURES	FLAT-FACE COUPLINGS - HOLDER C250-C270 ADAPTOR PLATE - ADJUSTABLE BROOM COVER - ONLY FOR SCD-059-01: CASTOR WHEEL
AVAILABLE OPTIONS	ONLY FOR SCD-059-01: WET-KIT (SPRAY NOZZLES - ELECTRICAL PUMP) (REGULAR WATER TANK IS REQUIRED)
TRACTOR REQUIREMENTS	CAT I (3-POINT HITCH) - 1 SET OF HYDRAULIC QUICK COUPLERS (DOUBLE ACTING) ONLY FOR SCD-059-01: CAT II (IN ADDITION)

MODEL	SCD-055-01	SCD-059-01
TOTAL WIDTH	57" (1447 mm)	61" (1550 mm)
CLEARING WIDTH STRAIGHT	55" (1400 mm)	59" (1500 mm)
CLEARING WIDTH ANGLED	59" (1500 mm) at 26°	63" (1600 mm) at 32°
TURNING ANGLE (L/R)	26°	32°
OSCILLATION	NO	18°
TRANSPORT HEIGHT	29" (735 mm)	41" (1050 mm)
BRUSH DIAMETER	21.6" (550 mm)	23.6" (600 mm)
BRUSH MATERIAL	POLYPROPYLENE	
WEIGHT	260 lb (118 kg)	529 lb (240 kg)
TORQUE TO THE SHAFT	147 lb*f (200 Nm)	479 lb*f (650 Nm)
POWER REQUIREMENTS	FLOW DIVIDER 1 OR HIGH FLOW PUMP 6.6 gpm (25 L /min)	HIGH FLOW PUMP 10 gpm (40 L /min)
TRACTOR FIT (HOLDER)	C70 - C270 - C992 - S75	C70 - C270 - C992 - S75 - S100 - S130

SWEEPERS



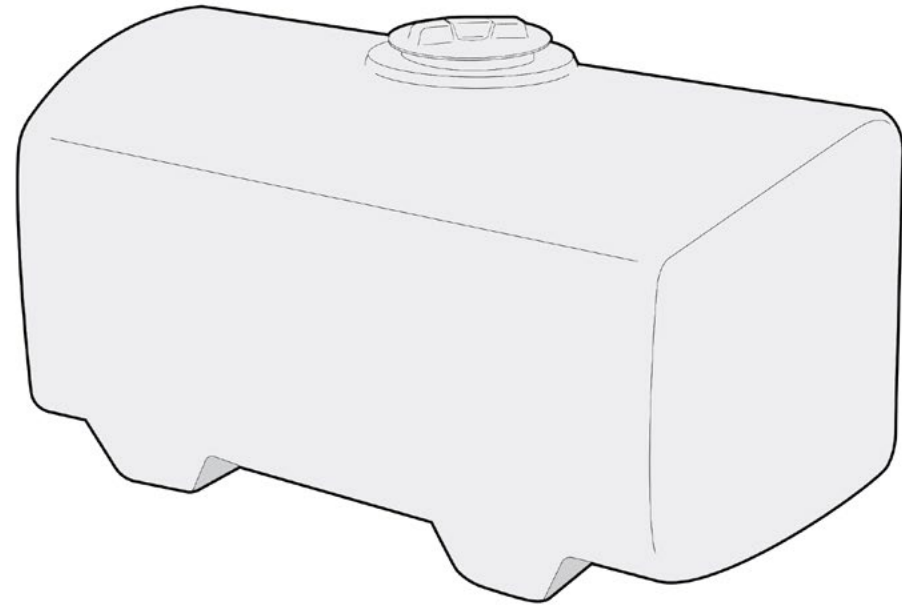
PTO DRIVEN SWEEPER WITHOUT WET KIT

MADE IN CANADA

STANDARD FEATURES	PU COWLING - PARKING LEGS - POLY STEEL COMBINATION BRUSHES - WATER SPRAY BAR - WATER PUMP - ADAPTER PLATE FOR WHEEL KIT
AVAILABLE OPTIONS	STAINLESS STEEL OR STEEL COWLING - WHEEL KIT HYDRAULIC DRIVEN MODELS AVAILABLE
TRACTOR REQUIREMENTS	CAT I CAT II (3-POINT HITCH)

MODEL	SPT-048-02	SPT-060-02	SPT-072-02
TOTAL WIDTH	53" (1346 mm)	65" (1651 mm)	77" (1955 mm)
CLEARING WIDTH STRAIGHT	48" (1219 mm)	60" (1524 mm)	72" (1828 mm)
CLEARING WIDTH ANGLED 30°	42" (1066 mm)	52" (1320 mm)	62" (1574 mm)
HEIGHT	38" (965 mm)		
BRUSH DIAMETER	32" (812 mm)		
SWING ANGLE	30°		
DRIVE ASSEMBLY	SIDE DRIVE VIA GEARBOX & CHAIN		
TYPE	MECHANICAL		
WEIGHT	685 lb (310 kg)	780 lb (353 kg)	860 lb (390 kg)
POWER REQUIREMENTS	40 HP (30 kW)		
TRACTOR FIT (HOLDER)	C70 - C270	C70 - C270 - C992 - S75 - S100 - S130	C992 - S75 - S100 - S130

WATER TANKS



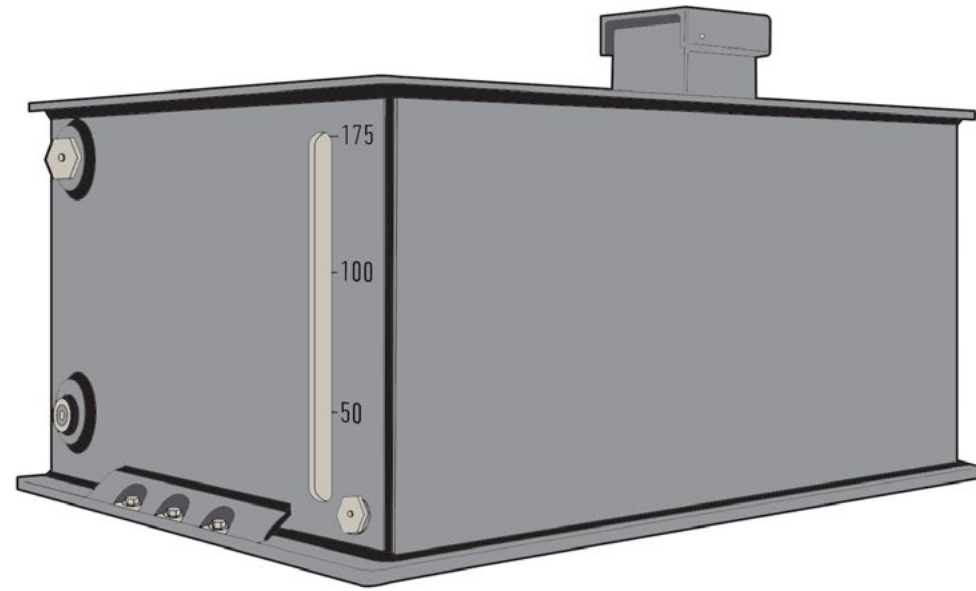
MADE IN CANADA

WATER TANK (WITHOUT BAFFLES)

STANDARD FEATURES	HOSE CONNECTIONS
MOUNTING OPTIONS	IN THE DUMP BODY (FRAME REQUIRED) ON THE PLATFORM (FRAME REQUIRED)
FRAME OPTIONS	WTF-100-01 (DUMP BODY MOUNT) WTF-100-02 (PLATFORM MOUNT)
TRACTOR REQUIREMENTS	OVER-ENGINE PLATFORM OR IN THE DUMP BODY

MODEL	WTA-100-01	WTA-150-01
TOTAL VOLUME	100 gal (440 L)	150 gal (568 L)
LENGTH	38" (965 mm)	48" (1219 mm)
WIDTH	30" (762 mm)	36" (914 mm)
HEIGHT	28" (711 mm)	
MATERIAL	POLYETHYLENE	
TRACTOR FIT (HOLDER)	C70 - C270	C992 - S75 - S100 - S130

WATER TANKS



WATER TANK (WITH BAFFLES)

MADE IN CANADA

STANDARD FEATURES	HOSE CONNECTIONS - PLATFORM MOUNT
MOUNTING OPTIONS	ON THE PLATFORM ONLY
TRACTOR REQUIREMENTS	OVER-ENGINE PLATFORM

MODEL	WTA-175-01	WTA-250-01
TOTAL VOLUME	175 gal (771 L)	250 gal (946 L)
LENGTH	52" (1321 mm)	64" (1626 mm)
WIDTH	40" (1016 mm)	46" (1168 mm)
HEIGHT	25" (635 mm)	32.5" (825 mm)
MATERIAL	POLYETHYLENE	
TRACTOR FIT (HOLDER)	C70 - C270	C992 - S75 - S100 - S130